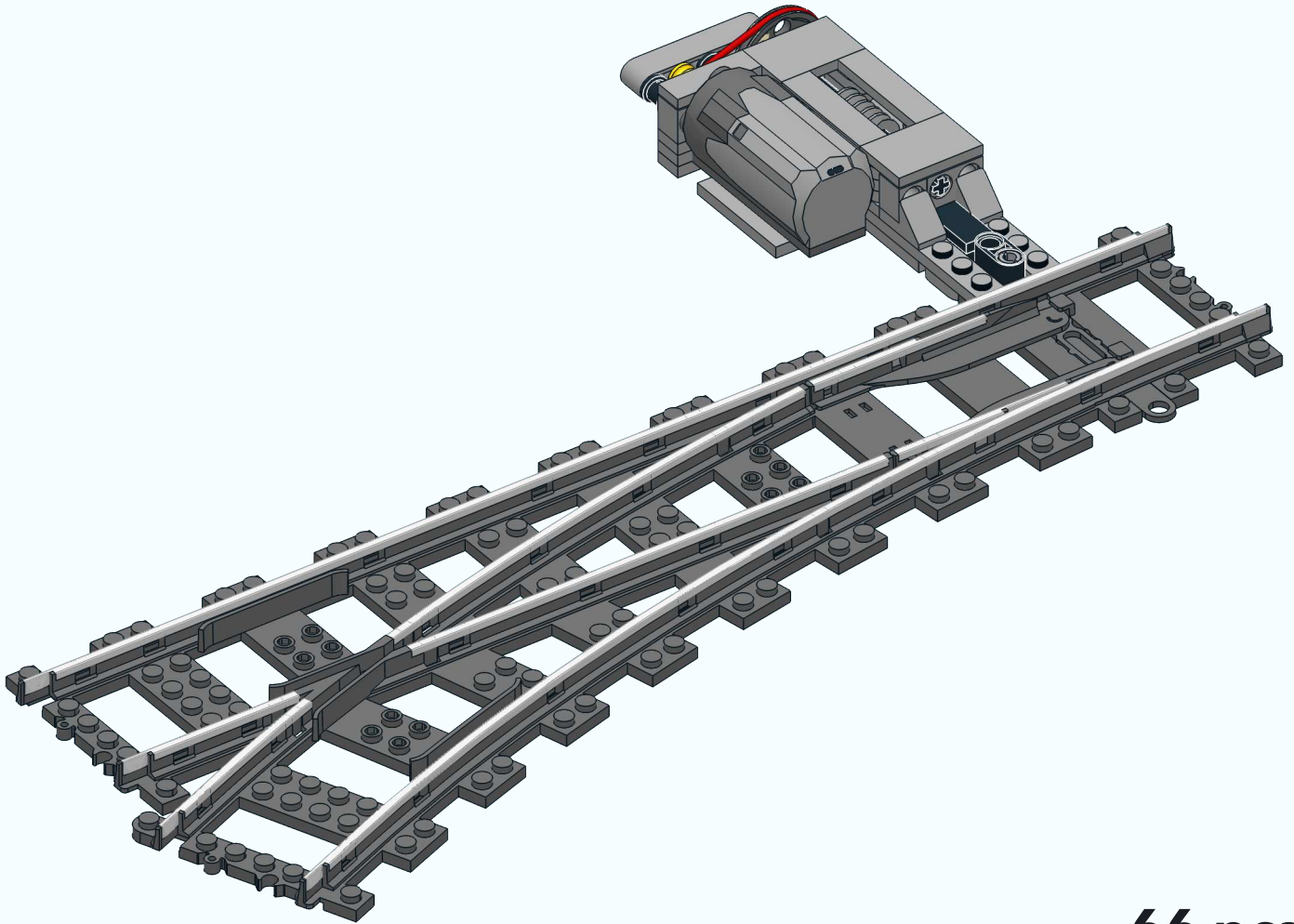




Track

P40 Switch Track

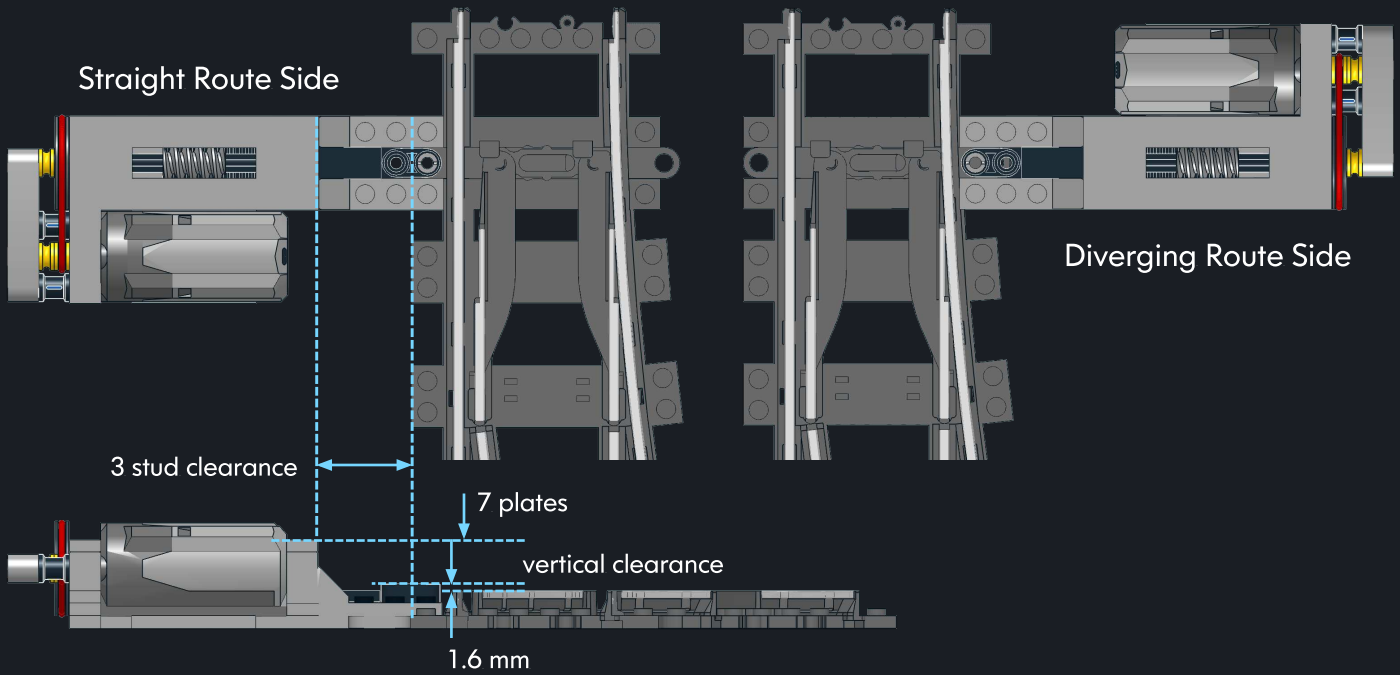
Motorized Switch Machine Instructions



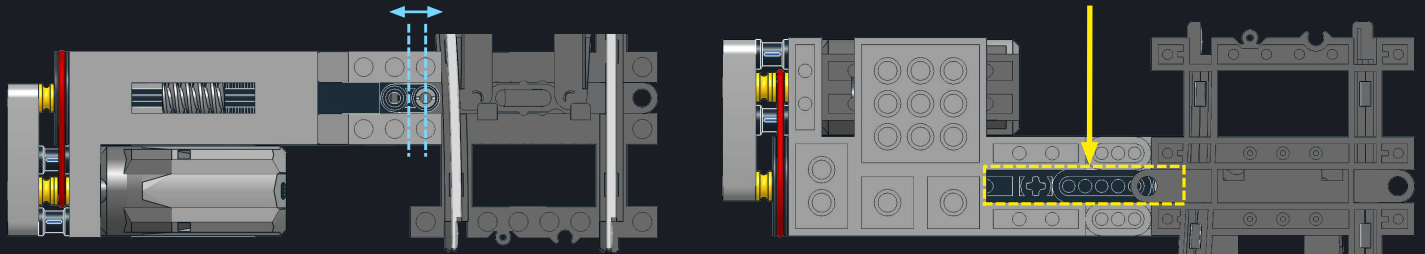
66 pcs

- 👍 Remote control your P40 switch with this motorized switch machine
- 👍 Compatible with Power Functions and Powered-UP M-Motors
- 👍 High torque with rubber belt safety clutch
- 👍 Build in your choice of colour: light or dark bluish gray, black, etc.

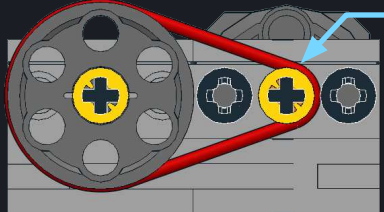
1 Install on either side of the switch



2 Extent of travel: 4.8 mm



3 Recommended rubber band:

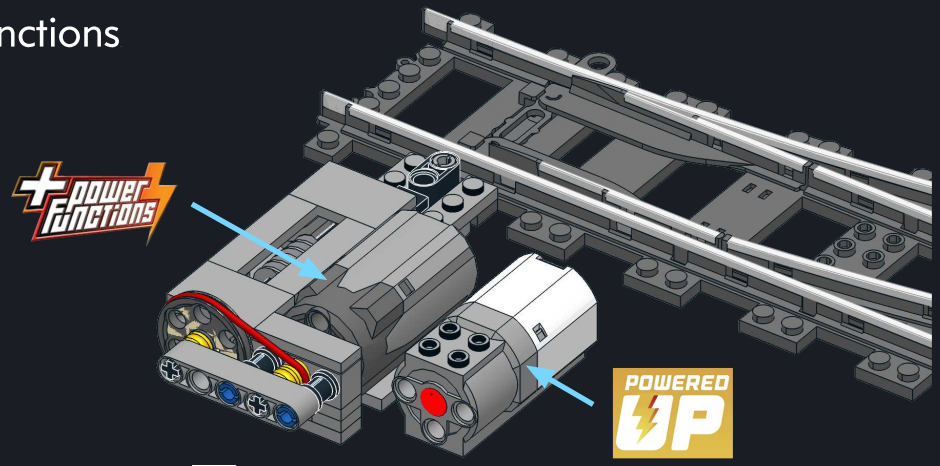


LEGO Rubber Belt Medium (Round Cross Section) - Approx. 3 x 3
Bricklink ID: **x37**

Same rubber band used on large flanged steam train wheel (85489b)

Best results achieved with un-used / un-stretched band. If switch machine slips and is unable to move tiebar, try another rubber band.

4 Use with either Power Functions or Powered UP M-Motor



Parts List



1x
6424674



1x
6210270



1x
6428168



1x
373726



1x
370526



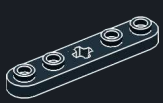
1x
4177444



1x
4205760



2x
4107742



1x
4114689



1x
4558170



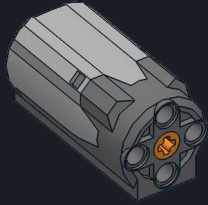
2x
4206482



1x
4100396



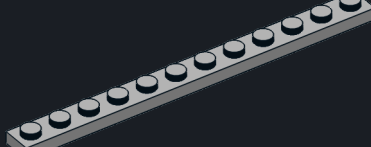
3x
4239601



1x
4581862



1x
4211399



1x
4514846



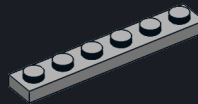
14x
6248890



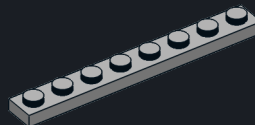
4x
4211429



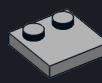
1x
4211445



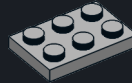
3x
4211438



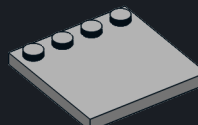
1x
4211425



2x
6212077



1x
4211396



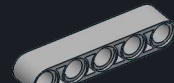
1x
4211837



2x
4568637



2x
6093859



1x
4211651



1x
4211535



4x
4211541



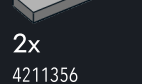
1x
4211483



1x
4211510



1x
4558169



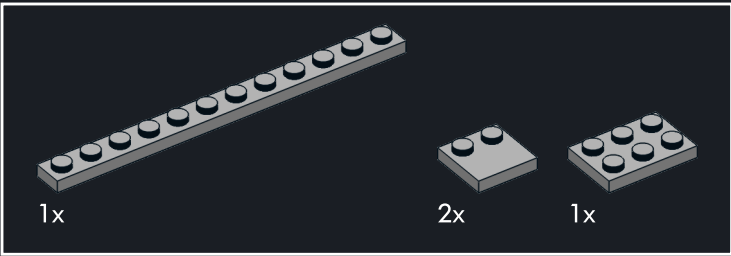
2x
4211356



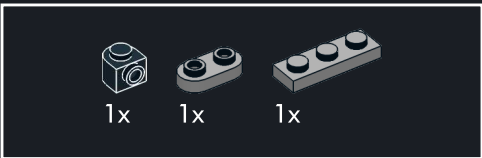
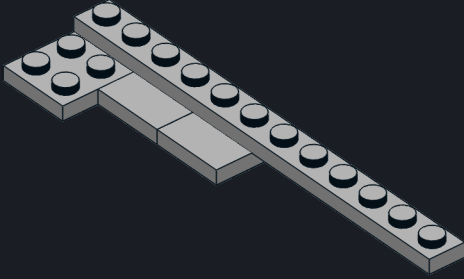
2x
6171894



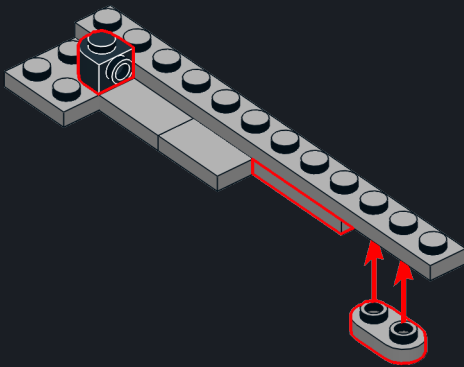
1x
4587275

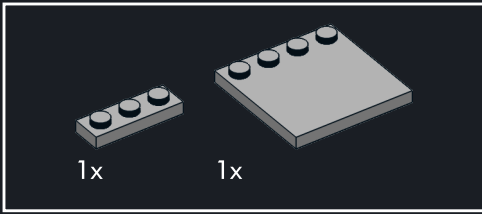


1

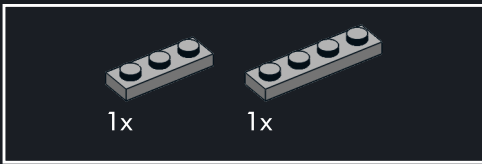
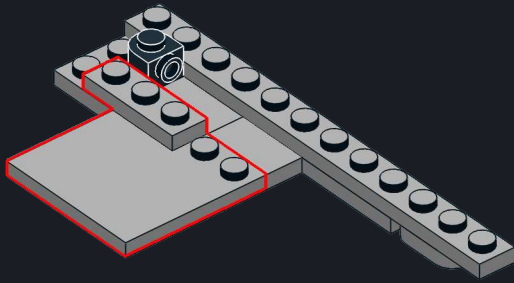


2

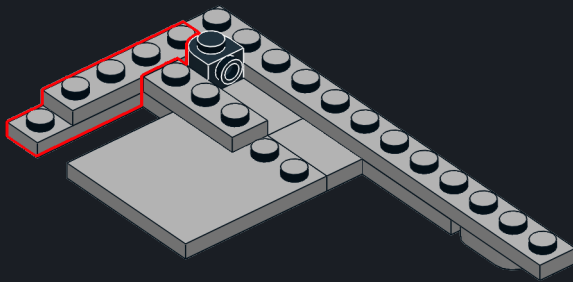


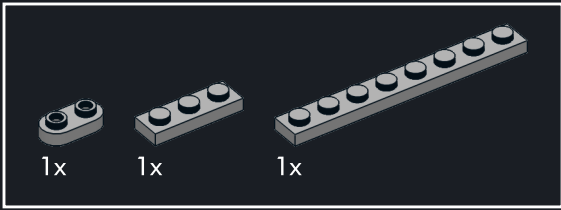


3

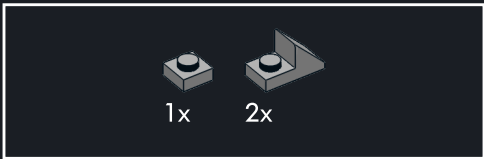
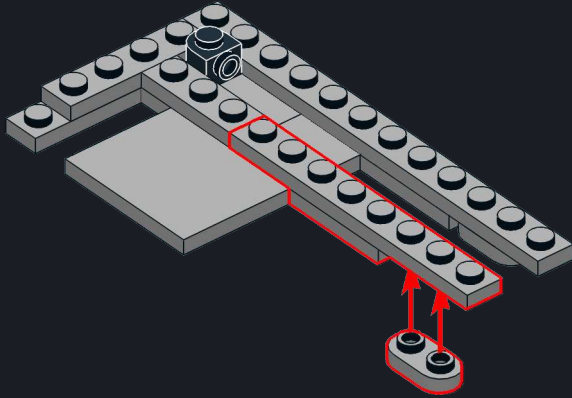


4

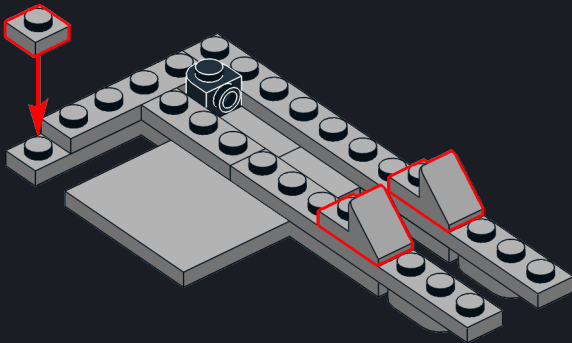


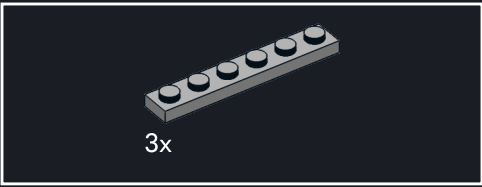


5

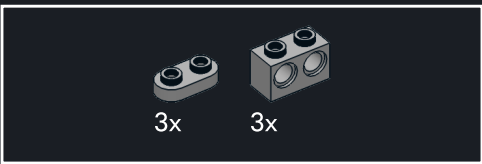
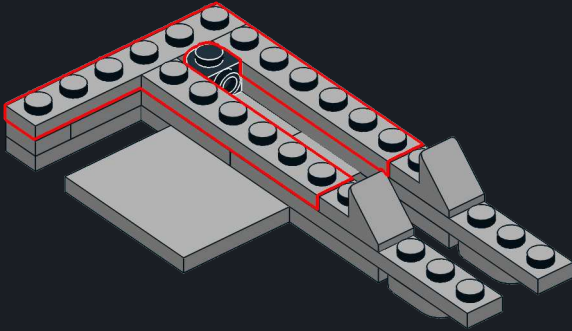


6

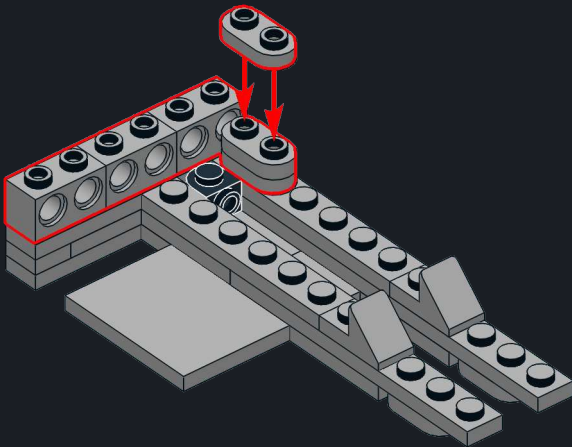




7

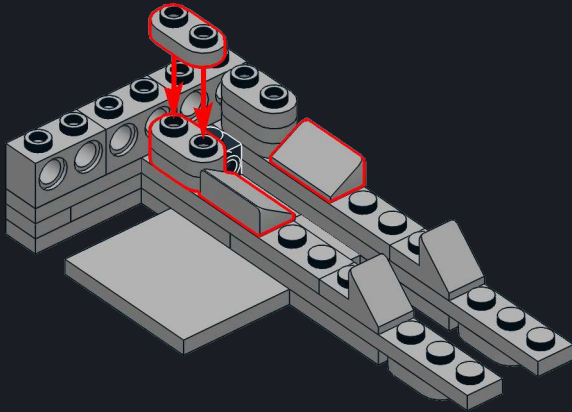


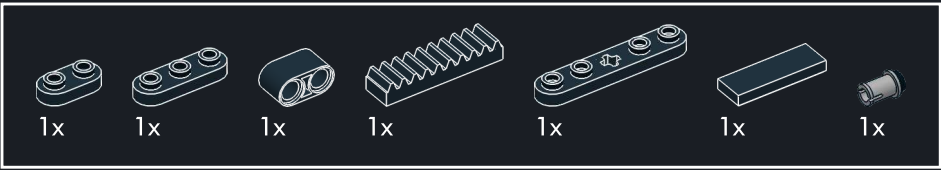
8



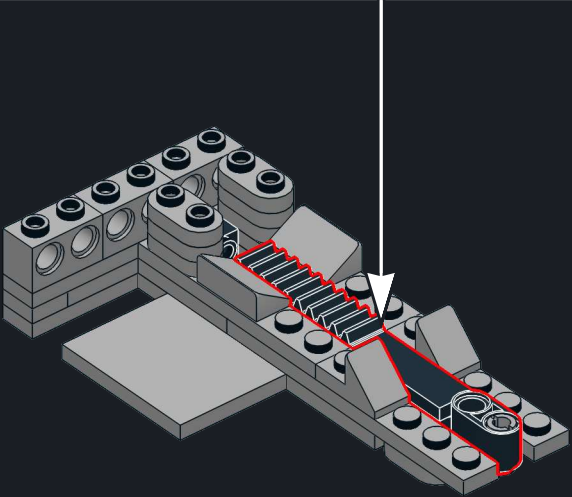
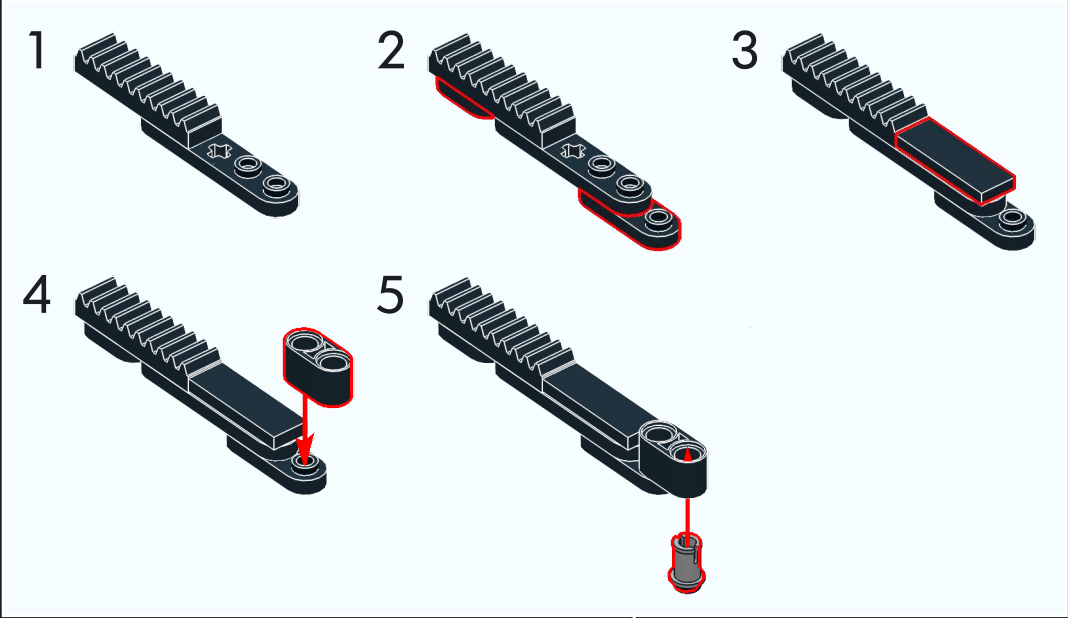


9



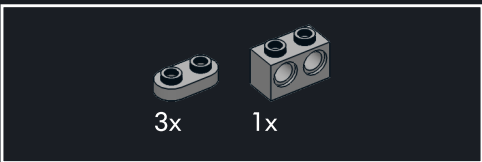
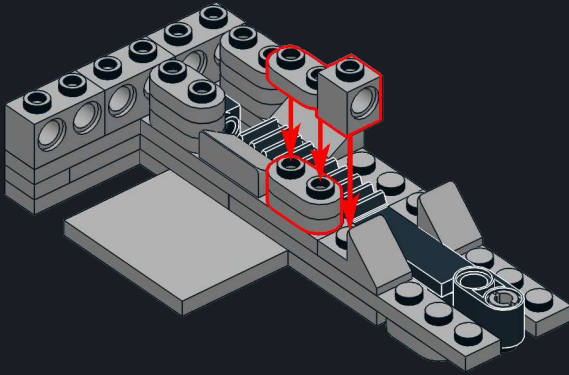


10

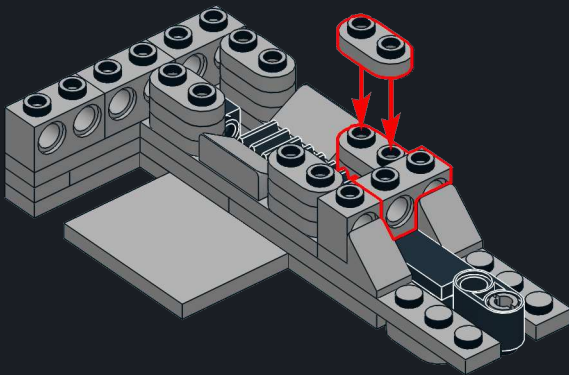


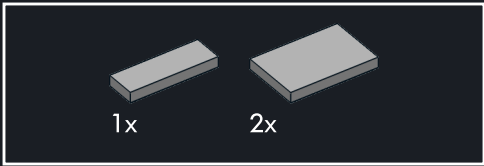


11

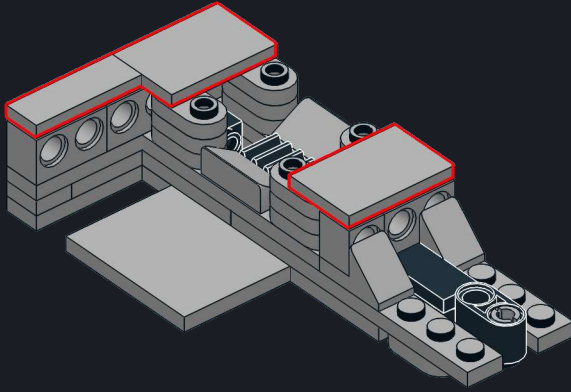


12

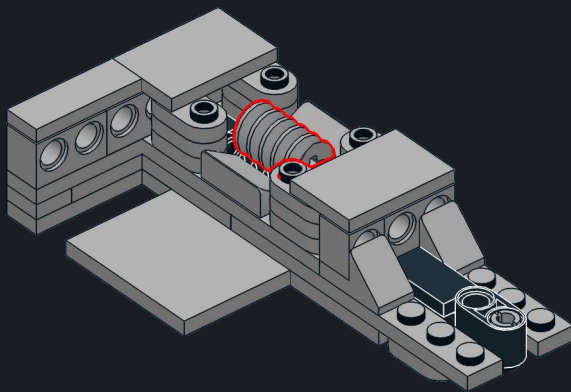


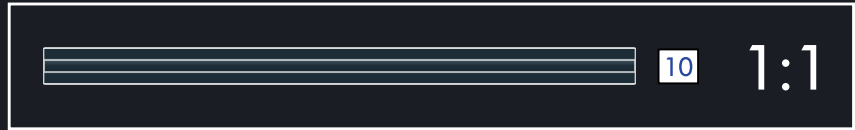
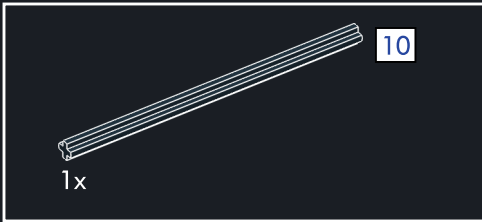


13

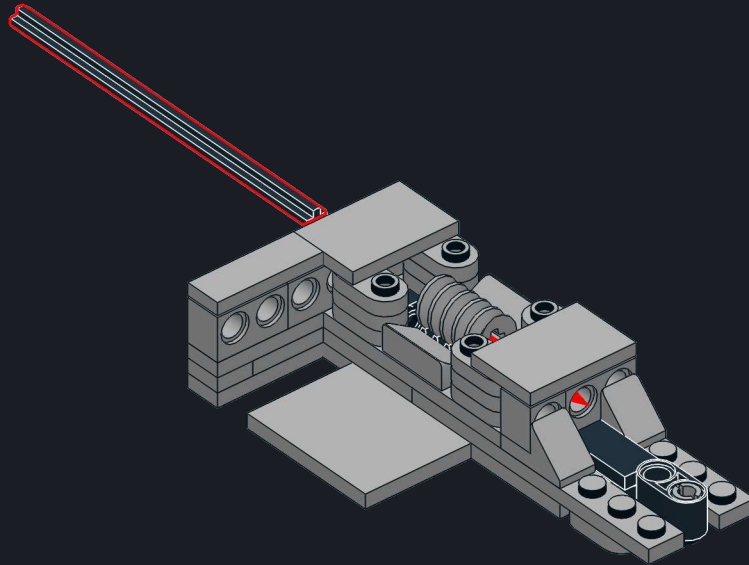


14

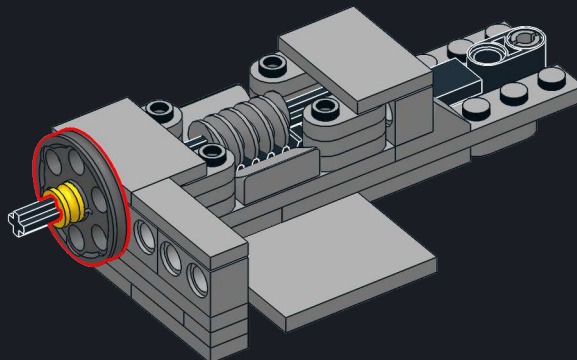


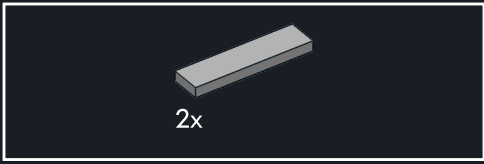


15

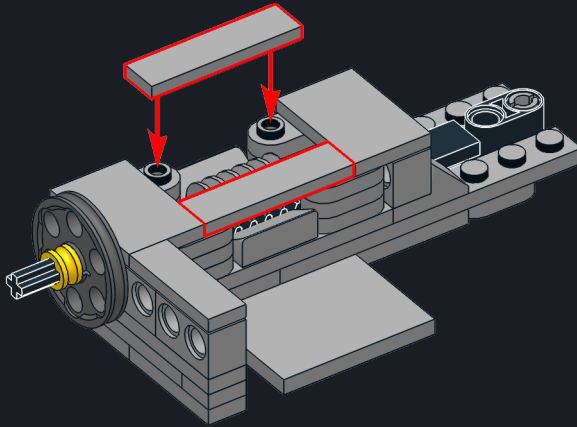


16

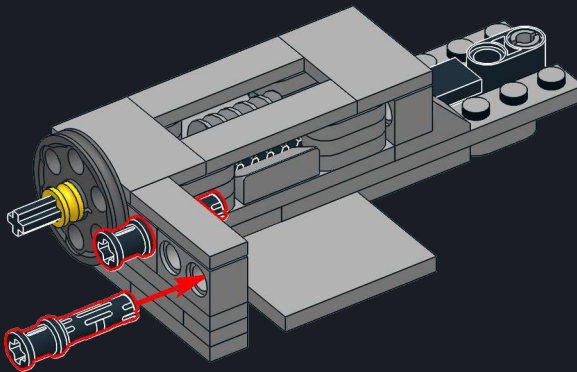




17

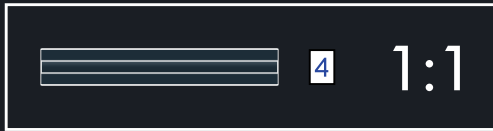
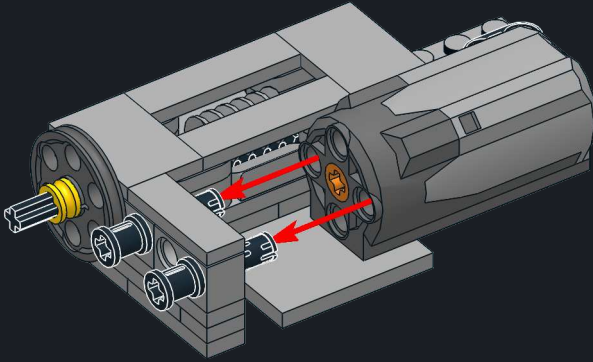


18

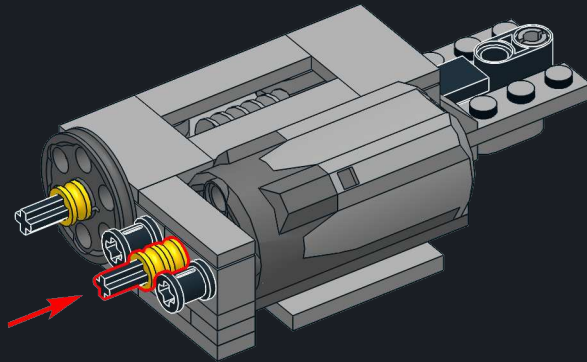


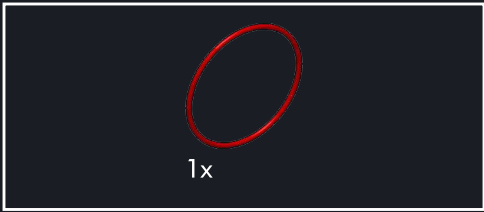


19

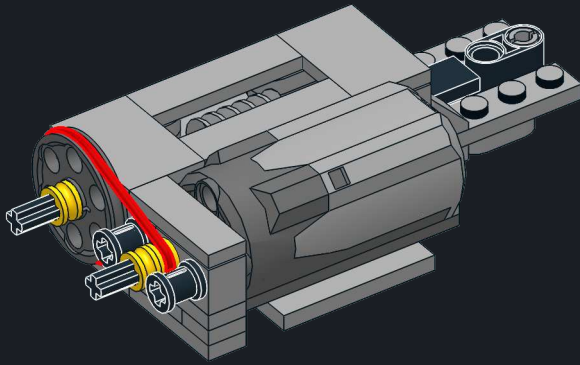


20

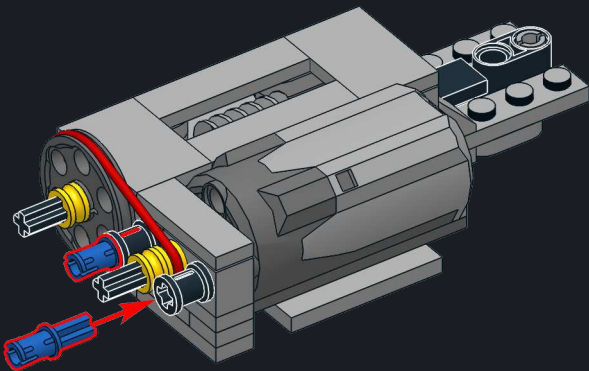




21

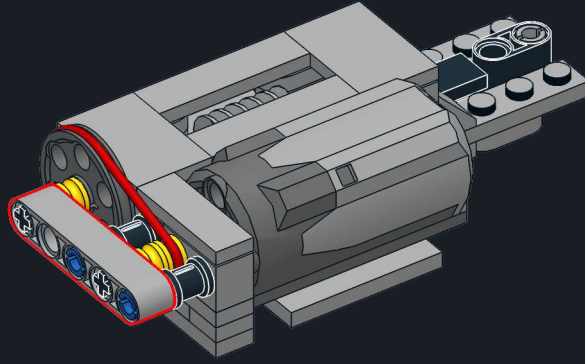


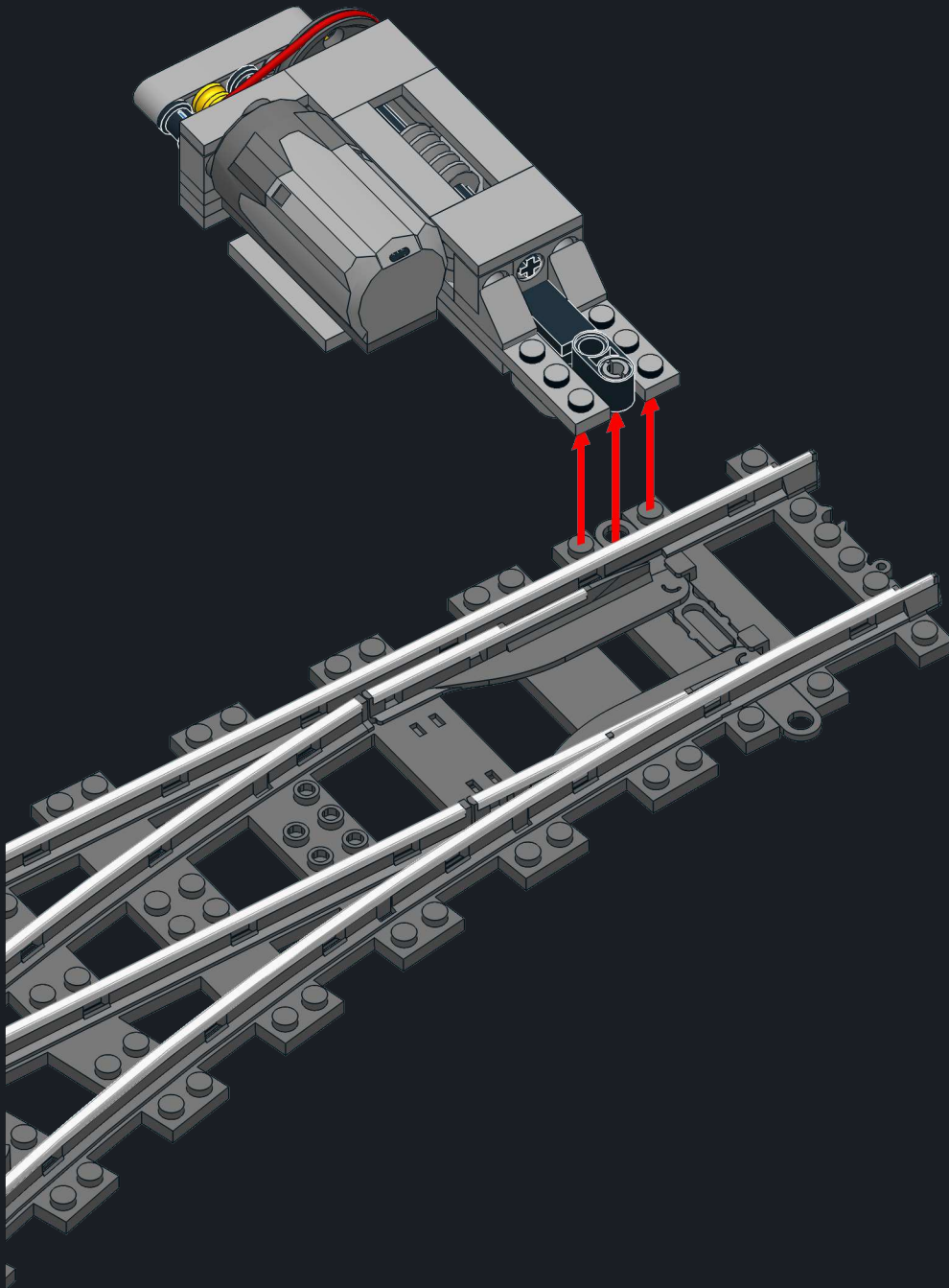
22





23







P40 Motorized Switch Machine Instructions

1-12-8041-2024-07-29

LEGO® is a trademark of the LEGO Group of companies which does not sponsor, authorize or endorse Fx Track or Fx Bricks.

© Fx Bricks Inc. 2024
Printed in Canada

www.fxbricks.com